

# KENNO<sup>+</sup>S<sup>®</sup>



# PFA Tube Fittings

PFA管接头产品手册

网站/Our Website: [www.yizemould.com](http://www.yizemould.com)  
邮箱/Email: [info@yizemould.com](mailto:info@yizemould.com)  
微信/Wechat: +86 18899821917

# 公司简介

## About KENNOS

东莞市宜泽新型材料制品有限公司专注于高纯 PFA 制品的开发与生产。公司有千级洁净车间、PFA 专用注塑机台、PFA 专用挤出设备、去应力设备、超纯水清洗设备等。PFA 专用注塑机有 30T、150T、320T、470T，可生产 1 克到 2000 克的 PFA 制品，可为广大 PFA 制品客户提供全方位的 OEM、ODM 服务。

"KENNOS" 为公司旗下高纯 PFA 制品品牌，产品包括接头系列（扩口接头、嵌入接头、对焊接头）、管材系列、阀门系列。"KENNOS" 系公司注册商标，所有产品均采用日本 DAIKIN 高纯 PFA 加工而成。由 SGS 按照 SEMI F57 标准进行严格检测。产品主要用于半导体行业，也适合光伏、化工、医药等行业的液体流通管道应用。

**Dongguan Yize New Material Products Co., Ltd.** specializes in the development and production of high-purity PFA products. The company has a class 1000 cleanroom, PFA-specific injection molding machines, PFA-specific extrusion equipment, stress relief equipment, ultrapure water cleaning equipment, etc. PFA-specific injection molding machines include 30T, 150T, 320T, and 470T, which can produce PFA products ranging from 1 gram to 2000 grams, providing a full range of OEM and ODM services for PFA product customers.

"KENNOS" is the company's high-purity PFA product brand, including tube fitting series (flared fitting, embedded fitting, butt welding fitting), pipe series, and valve series. "KENNOS" is a registered trademark of the company, and all products are processed using high-purity PFA from Japan's DAIKIN. They are strictly tested by SGS in accordance with SEMI F57 standards. The products are mainly used in the semiconductor industry, but also suitable for liquid circulation pipeline applications in the photovoltaic, chemical, pharmaceutical and other industries.

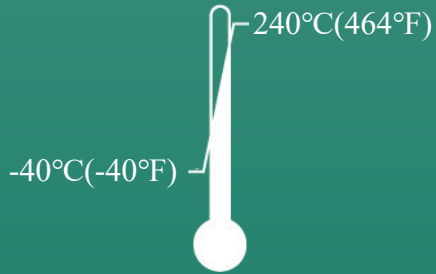
# KENNOS<sup>®</sup>



®

# KENNO<sup>+</sup>S

## 产品特点: Characteristics:



· 工作温度范围为-40°C~240°C，最大可承受1.5MPa的压强；

The working temperature ranges from -40°C to 240°C, can withstand a maximum pressure of 1.5 MPa.



· 耐物理磨损和化学腐蚀

Resistant to physical wear and chemical corrosion;



· 高纯度、高透明度，便于观察管内液体流动情况

High purity and transparency allows easy observation of the liquid flow inside the tube;



· 安装简单，可降低结构复杂性和成本

Simple installation, thus reducing system complexity and cost;

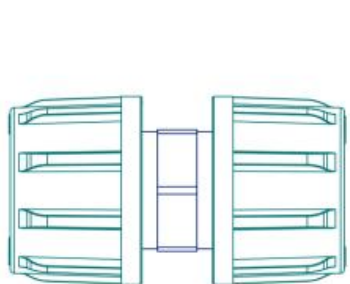
# PFA Tube Fittings

## PFA管接头

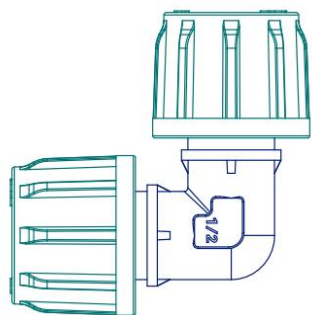
# PFA管接头

## PFA Tube Fitting

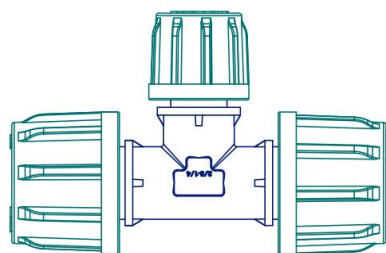
# KENNOS<sup>®</sup>



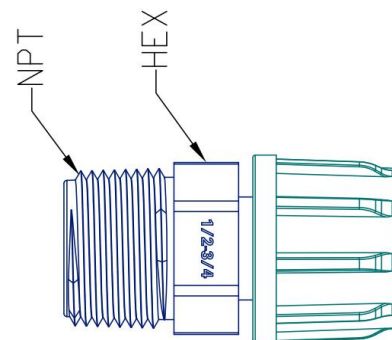
等径直通接头  
Straight Union



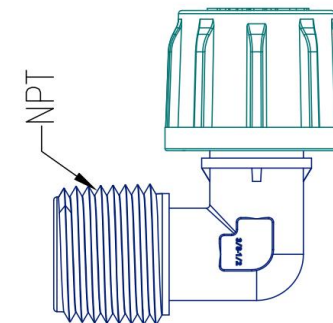
90°等径接头  
90° Elbow Union



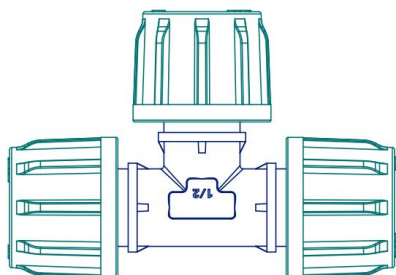
变径三通接头  
Tee Reducer



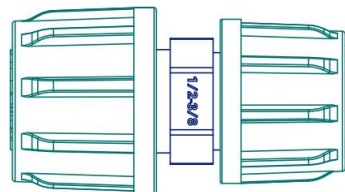
直通外牙接头  
Straight Male Connector



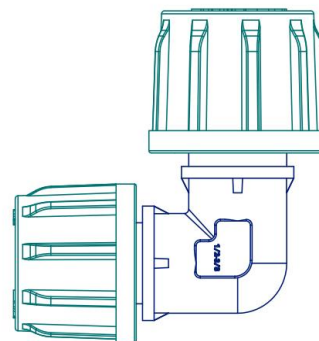
90°外牙接头  
90° Elbow Male Connector



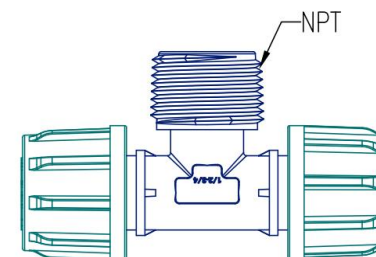
等径三通接头  
Tee Union



变径直通接头  
Straight Reducer



90°变径接头  
90° Elbow Reducer



三通外牙接头  
Tee Male Connector



# PFA接头编码规则

## PFA Tube Fitting Coding Rules

# KENNOS<sup>®</sup>

### KNS-A-Y-I-H-M-1

规格代码: 1代表1/4", 2代表3/8", 3代表1/2", 4代表3/4", 5代表1"。  
Specifications: 1 for 1/4", 2 for 3/8", 3 for 1/2", 4 for 3/4", 5 for 1"

螺牙各类: M代表外牙, F代表内牙  
Thread type: M for male, F for female

品名代码: H代表直通, T代表三通, L代表弯头  
Product code: H for straight, T for tee, L for elbow

管径变化: I代表等径接头, R代表变径接头  
Pipe diameter change: I for unions, R for reducers

产品类别: Y代表扩口式, E代表卡扣式  
Product category: Y for flare type, E for snap type

产品系列: A代表接头类产品、B系列阀门类产品、C系列开发中  
Product series: A for fittings, B for valves, C for developing products.

品牌代码: KENNOS的简称 | Brand Code: Abbreviation of KENNOS

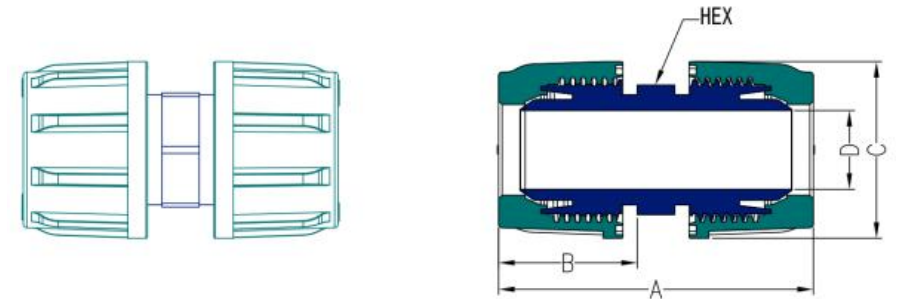
# PFA管接头

## PFA Tube Fitting

# KENNOS®

型号 Type	规格 (英寸) Specification (inch)	适配管径 Tube Size (mm)	A(mm)	B(mm)	C(mm)	D(mm)	HEX(mm)
KNS-A-Y-I-H-1	1/4	6.35×3.95	42.8	17.8	19.5	3.95	7.2×13.6
KNS-A-Y-I-H-2	3/8	9.53×6.33	51.4	22.2	27	6.33	7.0×17.2
KNS-A-Y-I-H-3	1/2	12.7×9.5	60.2	26.5	30.8	9.5	7.2×18.2
KNS-A-Y-I-H-4	3/4	19×15.8	78.6	34.05	39.8	15.85	10.5×23.9
KNS-A-Y-I-H-5	1	25.4×22.2	88.7	39.1	49.8	22.2	10.5×32.1

### 等径直通接头 Straight Union



# PFA管接头

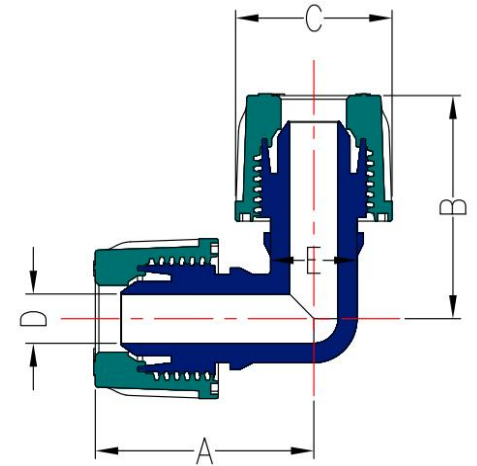
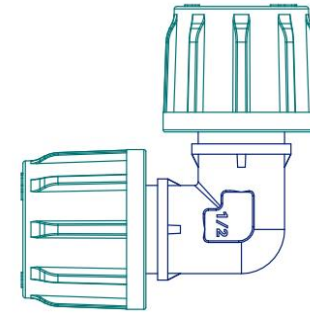
## PFA Tube Fitting

# KENNOS<sup>®</sup>

型号 Type	规格 (英寸) Specification (inch)	适配管径 Tube Size (mm)	A(mm)	B(mm)	C(mm)	D(mm)	E(mm)
KNS-A-Y-I-L-1	1/4	6.35×3.95	28.8	28.8	19.5	3.95	11
KNS-A-Y-I-L-2	3/8	9.53×6.33	36.5	36.5	27	6.33	13.8
KNS-A-Y-I-L-3	1/2	12.7×9.5	43	43	30.8	9.5	17
KNS-A-Y-I-L-4	3/4	19×15.8	55.85	55.85	39.8	15.85	24.8
KNS-A-Y-I-L-5	1	25.4×22.2	66.2	66.2	49.8	22.2	32.2

## 90°等径接头

## 90° Elbow Union



# PFA管接头

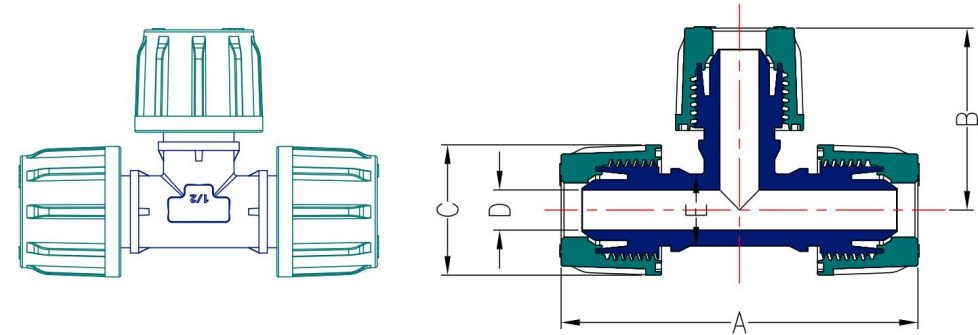
## PFA Tube Fitting

# KENNOS<sup>®</sup>

型号 Type	规格 (英寸) Specification (inch)	适配管径 Tube Size (mm)	A(mm)	B(mm)	C(mm)	D(mm)	E(mm)
KNS-A-Y-I-T-1	1/4	6.35×3.95	57.6	28.8	19.5	3.95	11
KNS-A-Y-I-T-2	3/8	9.53×6.33	73	36.5	27	6.33	13.8
KNS-A-Y-I-T-3	1/2	12.7×9.5	86	43	30.8	9.5	17
KNS-A-Y-I-T-4	3/4	19×15.8	111.7	55.85	39.8	15.85	24.8
KNS-A-Y-I-T-5	1	25.4×22.2	132.4	66.2	49.8	22.2	32.2

## 等径三通接头

### Tee Union





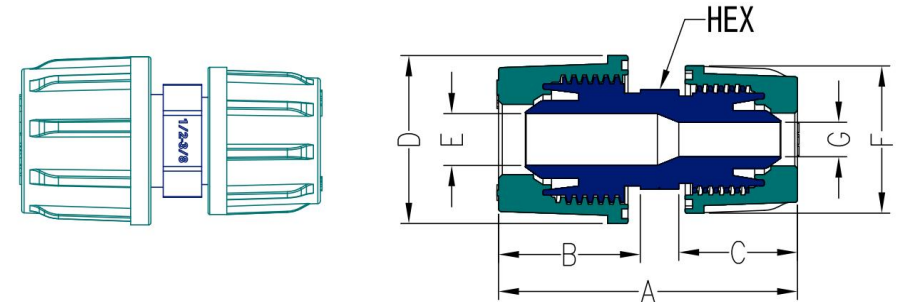
# PFA管接头

## PFA Tube Fitting

# KENNOS®

型号 Type	规格 (英寸) Specification (inch)	适配管径 Tube Size (mm)	A(mm)	B(mm)	C(mm)	D(mm)	E(mm)	F(mm)	G(mm)	HEX (mm)
KNS-A-Y-R-H-4-5	3/4-1	19×15.8	83.65	39.1	34.05	49.8	22.2	39.8	15.8	10.5x32.1
		25.4×22.2								
KNS-A-Y-R-H-3-4	1/2-3/4	12.7×9.5	71.05	34.05	26.5	39.8	15.8	30.8	9.5	10.5x23.9
		19×15.8								
KNS-A-Y-R-H-3-2	3/8-1/2	9.53×6.33	55.9	26.5	22.2	30.8	9.5	27	6.33	7.2x18.2
		12.7×9.5								
KNS-A-Y-R-H-2-1	1/4-3/8	6.35×3.95	47.2	22.2	17.8	27	6.33	19.5	3.95	7.2x17.2
		9.53×6.33								
KNS-A-Y-R-H-3-5	1/2-1	12.7×9.5	76.1	39.1	26.5	49.8	22.2	30.8	9.5	10.5x32.1
		25.4×22.2								
KNS-A-Y-R-H-2-4	3/8-3/4	9.53×6.33	66.75	34.05	22.2	39.8	15.8	27	6.33	10.5x23.9
		19×15.8								
KNS-A-Y-R-H-1-3	1/4-1/2	6.35×3.95	51.5	26.5	17.8	30.8	9.5	19.5	3.95	7.2x18.2
		12.7×9.5								

## 变径直通接头 Straight Reducer



# PFA管接头

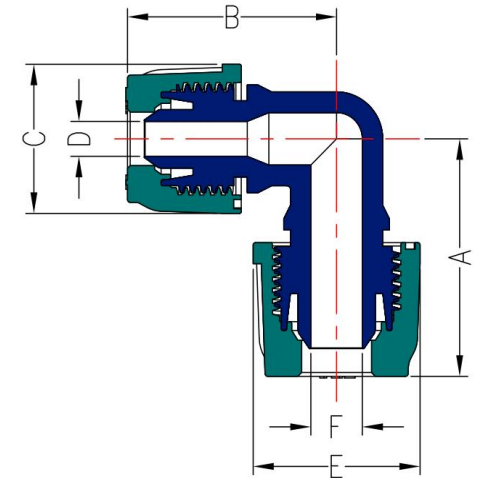
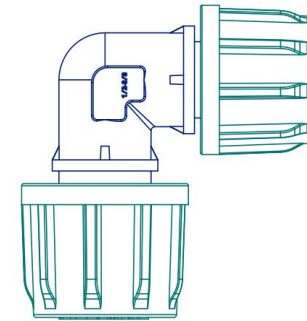
## PFA Tube Fitting

# KENNOS®

型号 Type	规格 (英寸) Specification (inch)	适配管径 Tube Size (mm)	A(mm)	B(mm)	C(mm)	D(mm)	E(mm)	F(mm)
KNS-A-Y-R-L-1-2	1/4-3/8	9.53×6.33	36.5	32.3	19.5	3.95	27	6.33
		6.35×3.95						
KNS-A-Y-R-L-1-3	1/4-1/2	12.7×9.5	43	34.4	19.5	3.95	30.8	9.5
		6.35×3.98						
KNS-A-Y-R-L-2-3	3/8-1/2	12.7×9.5	43	38.6	27	6.33	30.8	9.5
		9.53×6.33						
KNS-A-Y-R-L-2-4	3/8-3/4	19×15.8	55.85	44	27	6.33	39.8	15.8
		9.53×6.33						
KNS-A-Y-R-L-3-4	1/2-3/4	19×15.8	55.85	48.4	30.8	9.5	39.8	15.8
		12.7×9.5						
KNS-A-Y-R-L-3-5	1/2-1	25.4×22.2	66.2	53.6	30.8	9.5	49.8	22.2
		12.7×9.5						
KNS-A-Y-R-L-4-5	3/4-1	25.4×22.2	66.2	61.05	39.8	15.8	49.8	22.2
		19×15.8						

## 90°变径接头

## 90° Elbow Reducer



# PFA管接头

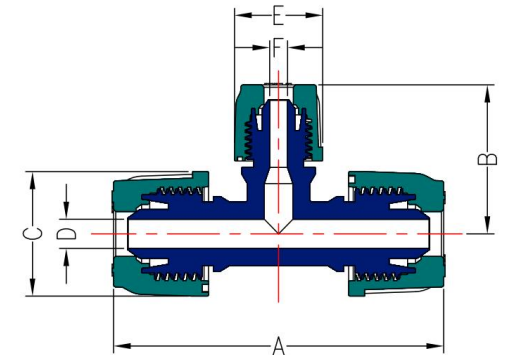
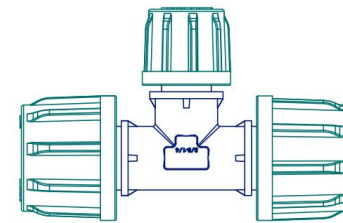
## PFA Tube Fitting

# KENNOS®

型号 Type	规格 (英寸) Specification (inch)	适配管径 Tube Size (mm)	A(mm)	B(mm)	C(mm)	D(mm)	E(mm)	F(mm)
KNS-A-Y-R-T-1-2-1	1/4-3/8-1/4	6.35×3.95	57.6	33	19.5	3.95	27	6.33
		9.53×6.33						
KNS-A-Y-R-T-1-3-1	1/4-1/2-1/4	6.35×3.95	64.6	40.9	19.5	3.95	30.8	9.5
		12.7×9.5						
KNS-A-Y-R-T-2-1-2	3/8-1/4-3/8	9.53×6.33	73	32.3	27	6.33	19.5	3.95
		6.35×3.95						
KNS-A-Y-R-T-2-3-2	3/8-1/2-3/8	9.53×6.33	73	40.9	27	6.33	30.8	9.5
		12.7×9.5						
KNS-A-Y-R-T-2-4-2	3/8-3/4-3/8	9.53×6.33	77.2	50.45	27	6.33	39.8	15.8
		19×15.8						
KNS-A-Y-R-T-3-1-3	1/2-1/4-1/2	12.7×9.5	86	34.4	30.8	9.5	19.5	3.95
		6.35×3.95						
KNS-A-Y-R-T-3-2-3	1/2-3/8-1/2	12.7×9.5	86	38.6	30.8	9.5	27	6.33
		9.53×6.33						
KNS-A-Y-R-T-3-4-3	1/2-3/4-1/2	12.7×9.5	86	50.45	30.8	9.5	39.8	15.8
		19×15.8						

## 变径三通接头

### Tee Reducer



# PFA管接头

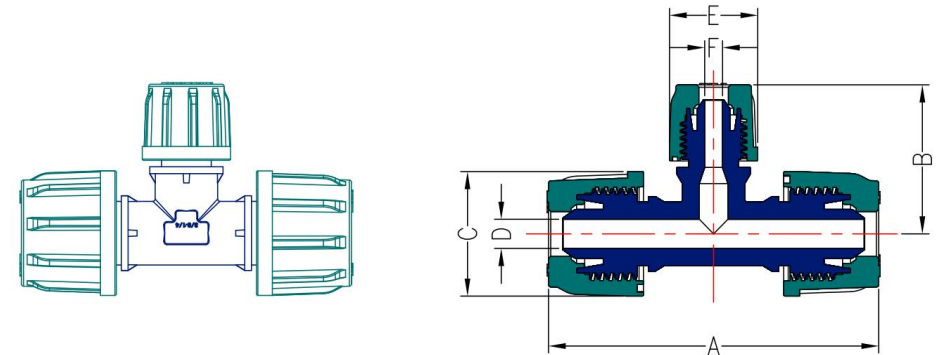
## PFA Tube Fitting

# KENNOS®

型号 Type	规格 (英寸) Specification (inch)	适配管径 Tube Size (mm)	A(mm)	B(mm)	C(mm)	D(mm)	E(mm)	F(mm)
KNS-A-Y-R-T-4-3-4	3/4-1/2-3/4	19×15.8	111.7	48.4	39.8	15.8	30.8	9.5
		12.7×9.5						
KNS-A-Y-R-T-3-5-3	1/2-1-1/2	12.7×9.5	96.8	61	30.8	9.5	49.8	22.2
		25.4×22.2						
KNS-A-Y-R-T-4-2-4	3/4-3/8-3/4	19×15.8	111.7	44	39.8	15.8	27	6.33
		9.53×6.33						
KNS-A-Y-R-T-4-3-4	3/4-1/2-3/4	19×15.8	111.7	48.4	39.8	15.8	30.8	9.5
		12.7×9.5						
KNS-A-Y-R-T-4-5-4	3/4-1-3/4	19×15.8	111.7	61	39.8	15.8	49.8	22.2
		25.4×22.2						
KNS-A-Y-R-T-5-3-5	1-1/2-1	25.4×22.2	132.4	53.6	49.8	22.2	30.8	9.5
		12.7×9.5						
KNS-A-Y-R-T-5-4-5	1-3/4-1	25.4×22.2	132.8	61.05	49.8	22.2	39.8	15.8
		19×15.8						

## 变径三通接头

### Tee Reducer



# PFA管接头

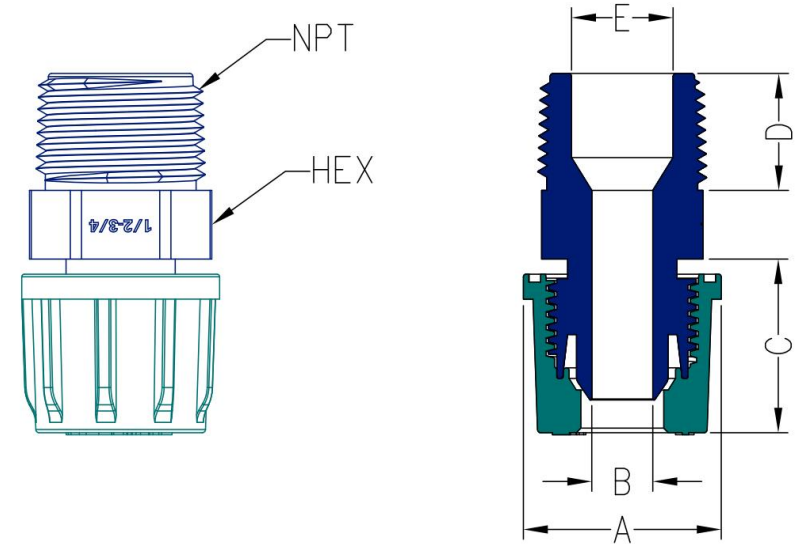
## PFA Tube Fitting

# KENNOS®

型号 Type	规格 (英寸) Specification (inch)	适配管径 Tube Size (mm)	A(mm)	B(mm)	C(mm)	D(mm)	E(mm)	HEX (mm)	NPT (inch)
KNS-A-Y-I-H-M-1-1	1/4-1/4	6.35×3.95	19.5	3.95	17.8	13	3.95	7.2x13.6	1/4
KNS-A-Y-R-H-M-2-1	3/8-1/4	9.53×6.33	27	6.33	22.2	13	6.33	7.0x17.2	1/4
KNS-A-Y-R-H-M-3-1	1/2-1/4	12.7×9.5	30.8	9.5	26.5	13	6.33	7.2x18.2	1/4
KNS-A-Y-R-H-M-1-2	1/4-3/8	6.35×3.95	19.5	3.95	17.8	13.1	6.33	7.2x17.2	3/8
KNS-A-Y-I-H-M-2-2	3/8-3/8	9.53×6.33	27	6.33	22.2	13.1	6.33	7.0x17.2	3/8
KNS-A-Y-R-H-M-3-2	1/2-3/8	12.7×9.5	30.8	9.5	26.5	13.1	9.5	7.2x18.2	3/8
KNS-A-Y-R-H-M-4-2	3/4-3/8	19×15.8	39.8	15.8	34.05	13.1	9.5	10.5x23.9	3/8
KNS-A-Y-R-H-M-1-3	1/4-1/2	6.35×3.95	19.5	3.95	17.8	17	9.5	7.2x17.2	1/2
KNS-A-Y-R-H-M-2-3	3/8-1/2	9.53×6.33	27	6.33	22.2	17	9.5	7.0x19.4	1/2
KNS-A-Y-I-H-M-3-3	1/2-1/2	12.7×9.5	30.8	9.5	26.5	17	9.5	7.2x19.4	1/2

## 直通外牙接头

### Straight Male Connector





# PFA管接头

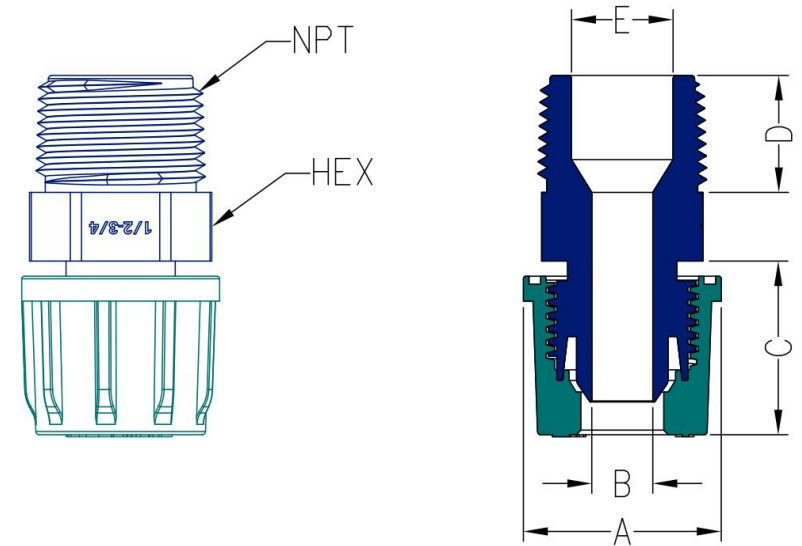
## PFA Tube Fitting



型号 Type	规格 (英寸) Specification (inch)	适配管径 Tube Size (mm)	A(mm)	B(mm)	C(mm)	D(mm)	E(mm)	HEX (mm)	NPT (inch)
KNS-A-Y-R-H-M-34-3	3/4-1/2	19×15.8	39.8	15.8	34.05	17	12	10.5x23.9	1/2
KNS-A-Y-R-H-M-5-3	1-1/2	25.4×22.2	49.8	22.2	39.1	17	12	10.5x32.1	1/2
KNS-A-Y-R-H-M-2-4	3/8-3/4	9.53×6.33	27	6.33	22.2	17.85	15.8	7x19.4	3/4
KNS-A-Y-R-H-M-3-4	1/2-3/4	12.7×9.5	30.8	9.5	26.5	17.85	15.8	10.5x25.1	3/4
KNS-A-Y-I-H-M-4-4	3/4-3/4	19×15.8	39.8	15.8	34.05	17.85	15.8	10.5x25.1	3/4
KNS-A-Y-R-H-M-5-4	1-3/4	25.4×22.2	49.8	22.2	39.1	17.85	15.8	10.5x32.1	3/4
KNS-A-Y-R-H-M-3-5	1/2-1	12.7×9.5	30.8	9.5	26.5	21.5	22.2	10.5x25.1	1
KNS-A-Y-R-H-M-4-5	3/4-1	19×15.8	39.8	15.8	34.05	21.5	22.2	10.5x32.1	1
KNS-A-Y-I-H-M-5-5	1-1	25.4×22.2	49.8	22.2	39.1	21.5	22.2	10.5x32.1	1

## 直通外牙接头

### Straight Male Connector



# PFA管接头

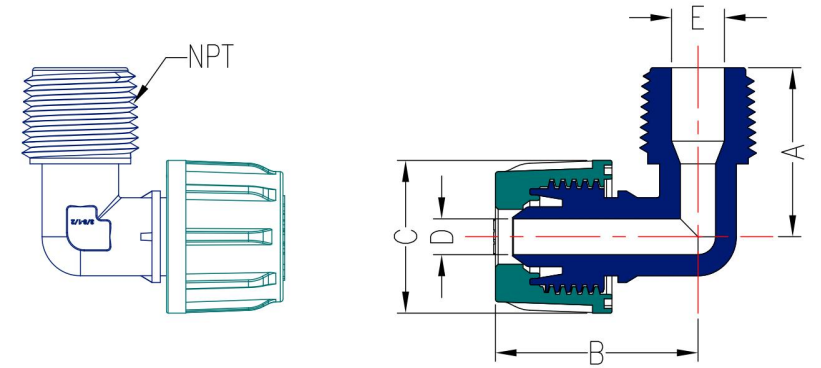
## PFA Tube Fitting

# KENNOS®

型号 Type	规格 (英寸) Specification (inch)	适配管径 Tube Size (mm)	A(mm)	B(mm)	C(mm)	D(mm)	E(mm)	NPT (inch)
KNS-A-Y-I-L-M-1-1	1/4-1/4	6.35×3.95	22.5	28.8	19.5	3.95	3.95	1/4
KNS-A-Y-I-L-M-2-1	3/8-1/4	9.53×6.33	25.9	36.5	27	6.33	6.33	1/4
KNS-A-Y-R-L-M-3-1	1/2-1/4	12.7×9.5	27.5	43	30.8	9.5	6.33	1/4
KNS-A-Y-R-L-M-1-2	1/4-3/8	6.35×3.95	22.6	28.8	19.5	3.95	6.33	3/8
KNS-A-Y-I-L-M-2-2	3/8-3/8	9.53×6.33	26	36.5	27	6.33	6.33	3/8
KNS-A-Y-I-L-M-3-2	1/2-3/8	12.7×9.5	27.6	43	30.8	9.5	9.5	3/8
KNS-A-Y-R-L-M-4-2	3/4-3/8	19×15.8	32.5	55.85	39.8	15.8	9.5	3/8
KNS-A-Y-R-L-M-1-3	1/4-1/2	6.35×3.95	27.9	28.8	19.5	3.95	12	1/2
KNS-A-Y-R-L-M-2-3	3/8-1/2	9.53×6.33	29.9	36.5	27	6.33	9.5	1/2

## 90°外牙接头

## 90° Elbow Male Connector



# PFA管接头

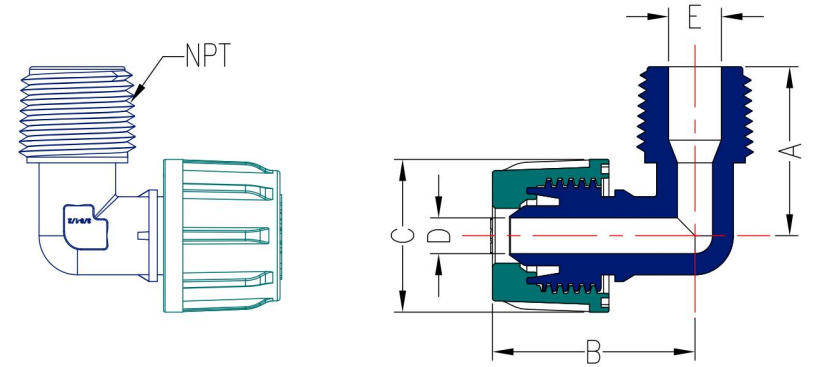
## PFA Tube Fitting

# KENNOS®

型号 Type	规格 (英寸) Specification (inch)	适配管径 Tube Size (mm)	A(mm)	B(mm)	C(mm)	D(mm)	E(mm)	NPT (inch)
KNS-A-Y-I-L-M-3-3	1/2-1/2	12.7×9.5	31.5	43	30.8	9.5	9.5	1/2
KNS-A-Y-R-L-M-4-3	3/4-1/2	19×15.8	36.4	55.85	39.8	15.8	12	1/2
KNS-A-Y-R-L-M-5-3	1-1/2	25.4×22.2	41.1	66.2	49.8	22.2	12	1/2
KNS-A-Y-R-L-M-2-4	3/8-3/4	9.53×6.33	32.25	36.5	27	6.33	15.8	3/4
KNS-A-Y-R-L-M-3-4	1/2-3/4	12.7×9.5	32.35	43	30.8	9.5	15.8	3/4
KNS-A-Y-I-L-M-4-4	3/4-3/4	19×15.8	37.25	55.85	39.8	15.8	15.8	3/4
KNS-A-Y-R-L-M-5-4	1-3/4	25.4×22.2	41.95	66.2	49.8	22.2	15.8	3/4
KNS-A-Y-R-L-M-3-5	1/2-1	12.7×9.5	38	43	30.8	9.5	22.2	1
KNS-A-Y-R-L-M-4-5	3/4-1	19×15.8	40.9	55.85	39.8	15.8	22.2	1
KNS-A-Y-I-T-M-5-5	1-1-1	25.4×22.2	132.4	45.6	49.8	22.2	22.2	1

## 90°外牙接头

### 90° Elbow Male Connector



# PFA管接头

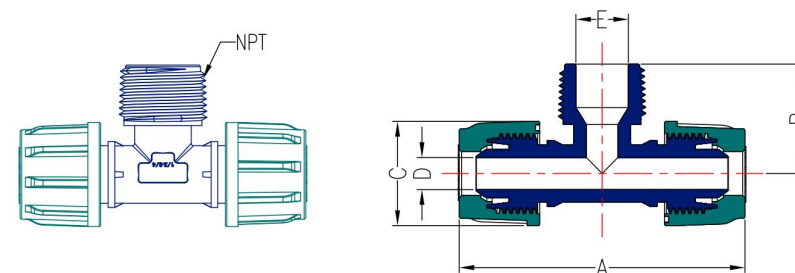
## PFA Tube Fitting

# KENNOS®

型号 Type	规格 (英寸) Specification (inch)	适配管径 Tube Size (mm)	A(mm)	B(mm)	C(mm)	D(mm)	E(mm)	NPT (inch)
KNS-A-Y-I-T-M-1-1-1	1/4-1/4-1/4	6.35×3.95	57.6	22.5	19.5	3.95	3.95	1/4
		6.35×3.95						
KNS-A-Y-I-T-M-2-1-2	3/8-1/4-3/8	9.53×6.33	73	25.9	27	6.33	6.33	1/4
		9.53×6.33						
KNS-A-Y-R-T-M-3-1-3	1/2-1/4-1/2	12.7×9.5	86	27.5	30.8	9.5	6.33	1/4
		12.7×9.5						
KNS-A-Y-R-T-M-1-2-1	1/4-3/8-1/4	6.35×3.95	57.6	22.6	19.5	3.95	6.33	3/8
		6.35×3.95						
KNS-A-Y-I-T-M-2-2-2	3/8-3/8-3/8	9.53×6.33	73	26	27	6.33	6.33	3/8
		9.53×6.33						
KNS-A-Y-I-T-M-3-2-3	1/2-3/8-1/2	12.7×9.5	86	27.6	30.8	9.5	9.5	3/8
		12.7×9.5						
KNS-A-Y-R-T-M-4-2-4	3/4-3/8-3/4	19×15.8	111.7	32.5	39.8	15.8	9.5	3/8
		19×15.8						
KNS-A-Y-R-T-M-1-3-1	1/4-1/2-1/4	6.35×3.95	57.6	27.9	19.5	3.95	12	1/2
		6.35×3.95						
KNS-A-Y-R-T-M-2-3-2	3/8-1/2-3/8	9.53×6.33	73	29.9	27	6.33	9.5	1/2
		9.53×6.33						
KNS-A-Y-I-T-M-3-3-3	1/2-1/2-1/2	12.7×9.5	86	31.5	30.8	9.5	9.5	1/2
		12.7×9.5						

## 三通外牙接头

### Tee Male Connector



# PFA管接头

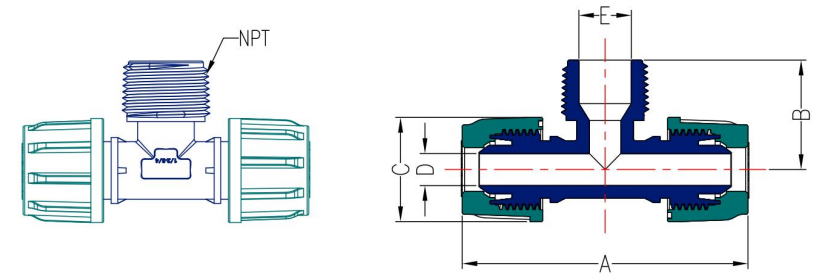
## PFA Tube Fitting

# KENNOS®

型号 Type	规格 (英寸) Specification (inch)	适配管径 Tube Size (mm)	A(mm)	B(mm)	C(mm)	D(mm)	E(mm)	NPT (inch)
KNS-A-Y-R-T-M-4-3-4	3/4-1/2-3/4	19×15.8	111.7	36.4	39.8	15.8	12	1/2
		19×15.8						
KNS-A-Y-R-T-M-5-3-5	1-1/2-1	25.4×22.2	132.4	41.1	49.8	22.2	12	1/2
		25.4×22.2						
KNS-A-Y-R-T-M-2-4-2	3/8-3/4-3/8	9.53×6.33	73	32.25	27	6.33	15.8	3/4
		9.53×6.33						
KNS-A-Y-R-T-M-3-4-3	1/2-3/4-1/2	12.7×9.5	86	32.35	30.8	9.5	15.8	3/4
		12.7×9.5						
KNS-A-Y-I-T-M-4-4-4	3/4-3/4-3/4	19×15.8	111.7	37.25	39.8	15.8	15.8	3/4
		19×15.8						
KNS-A-Y-R-T-M-5-4-5	1-3/4-1	25.4×22.2	132.4	41.95	49.8	22.2	15.8	3/4
		25.4×22.2						
KNS-A-Y-R-T-M-3-5-3	1/2-1-1/2	12.7×9.5	86	38	30.8	9.5	22.2	1
		12.7×9.5						
KNS-A-Y-R-T-M-4-5-4	3/4-1-3/4	19×15.8	111.7	40.9	39.8	15.8	22.2	1
		19×15.8						
KNS-A-Y-I-T-M-5-5-5	1-1-1	25.4×22.2	132.4	45.6	49.8	22.2	22.2	1
		25.4×22.2						

## 三通外牙接头

### Tee Male Connector





# KENNO<sup>+</sup>S<sup>®</sup>

东莞市宜泽新型材料制品有限公司  
Dongguan Yize New Material Products Co., Ltd.

---

地址：中国广东省东莞市长安镇沙头社区靖海东路62号  
电话：18899821917  
邮箱：info@yizemould.com  
网址：<https://www.yizemould.cn>

Address: No.62, Jinghai East Road, Chang'an town,  
Dongguan City, Guangdong Province  
Whatsapp: +86-13302615729  
Email: info@yizemould.com  
Website: <https://www.yizemould.com>